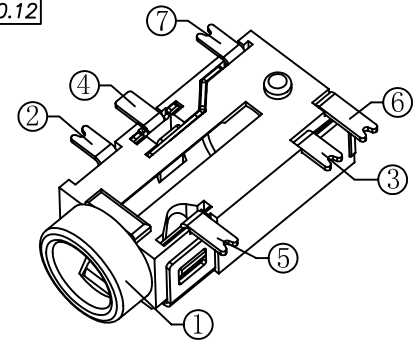
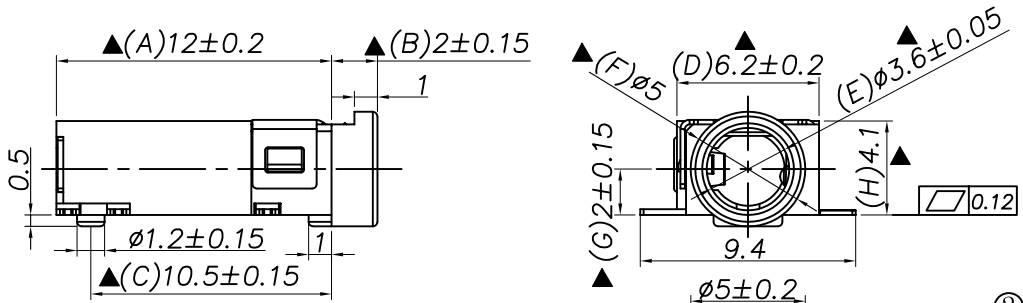


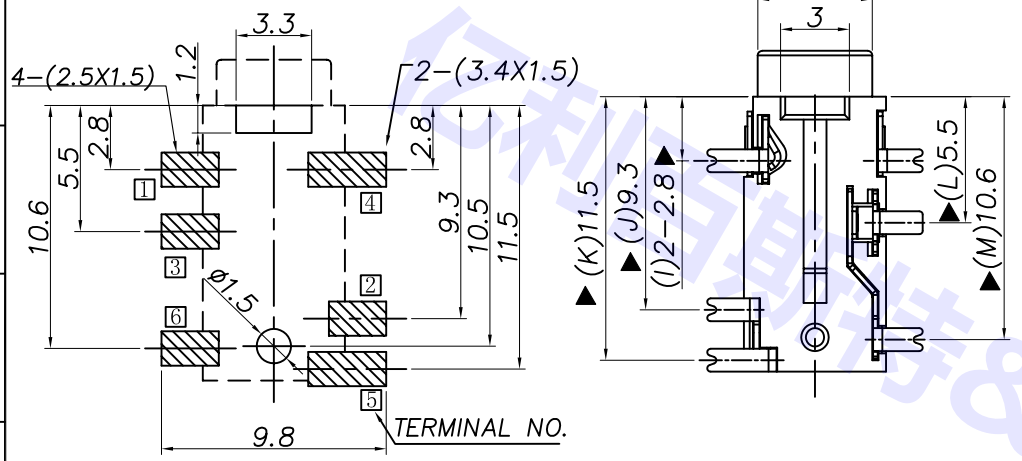
REV. LTR.	DESCRIPTION	SIGN	DATE
	Instead scheme	CHENBIN	2009.09.02



Ordering information:

PJ31060-□ 9T 0A G 00 1  
 (1) (2) (3) (4) (5) (6) (7)

- (1):Series No
- (2):Schematic option:I J M A B D
- (3):Material of housing:9T=PA9T
- (4):Housing color:0A=Black
- (5):Terminal plating: G:Gold(Au)
- (6):Special option:  
00:No special option
- (7):Packing mode:  
1:Reel packing(standard)



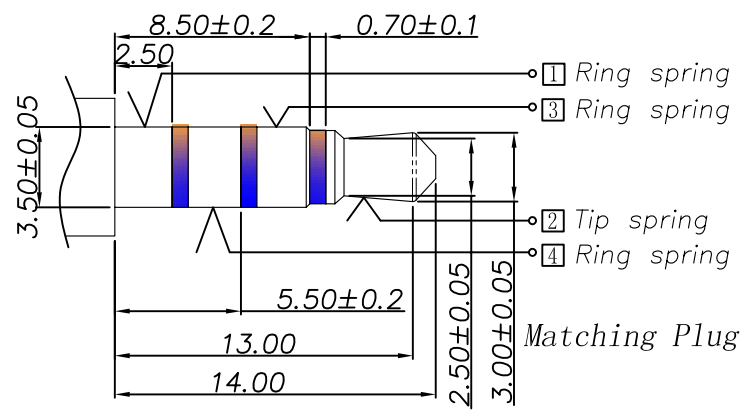
P. C. B Layout  
(Copper-sided view)

Model No.	PJ31060-I	PJ31060-J	PJ31060-M	PJ31060-A	PJ31060-B	PJ31060-D
Schematic code						

Circuit Diagram □:Terminal No.

SPECIFICATION

1. Rating : DC 30V 1.0A;
2. Contact resistance: ≤30mΩ;
3. Insulation resistance: ≥100MΩ (DC250V);
4. Withstand voltage: 500VAC ;
5. Insertion and extraction force: 3-30N;
6. life test: 5000 cycles;
7. Sing"▲"is importance dimention.



Matching Plug

NO.	DESCRIPTION	QTY	MATERIAL	PART NO.	PLATING
⑦	Shunt terminal	⑥ 1	Brass T=0.2	PJ31060-06	Gold plating
⑥	Shunt terminal	⑤ 1	Brass T=0.25	PJ31060-05	Gold plating
⑤	Ring spring	④ 1	Phosphor bronze T=0.25	PJ31060-04	Gold plating
④	Ring spring	③ 1	Beryllium bronze T=0.20	PJ31060-03	Gold plating
③	Tip spring	② 1	Beryllium bronze T=0.25	PJ31060-02	Gold plating
②	Earth spring	① 1	Phosphor bronze T=0.2	PJ31060-01	Gold plating
①	Housing	1	PA9T,UL94 V-0	PJ31060-S1	

UNIT:MM	TYPE:	MODEL NO.:	PAPER NO: A4	PAGE 1 OF 1
	3.5 PHONE JACK	PJ31060-_9T0AG001	TOLERANCE	ANGLES
			±0.3	±2°
			SCALE	VER
			FULL	7

DESIGNER BY:	CHENBIN 2009.09.02	<b>GDEL</b> 深圳市亿利百斯特电子有限公司 广东亿利精密电子有限公司
CHECK BY:		
APPROVED BY:		