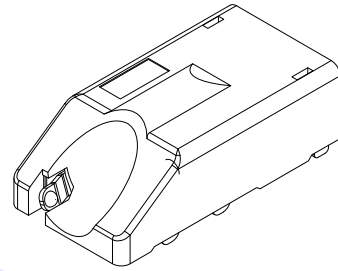
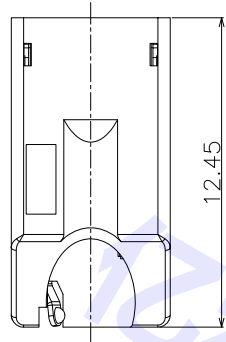
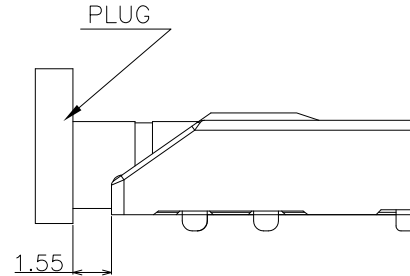


PROPRIETARY INFORMATION  
COMPANY CONFIDENTIAL

REV.	ECN. NO.	DESCRIPTION	ENG	DATE
A		INITIAL	Lucky	11/10/17"

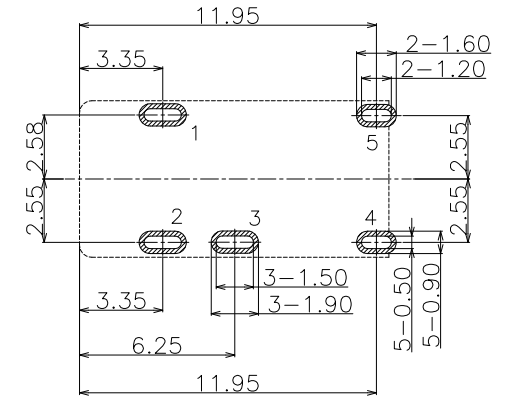
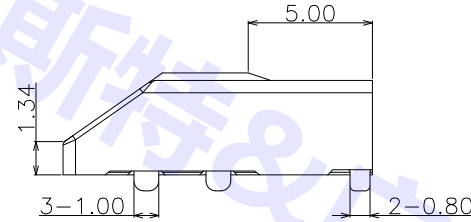
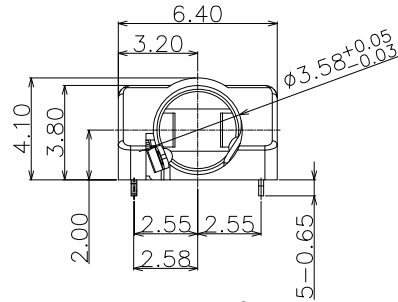


3D VIEW

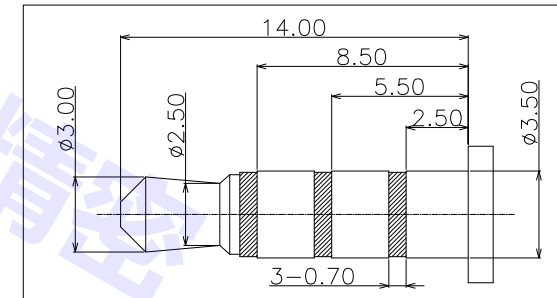
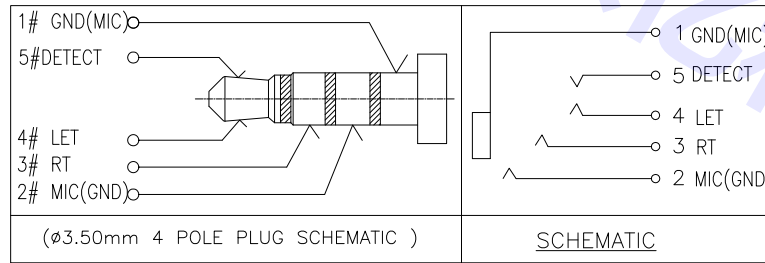
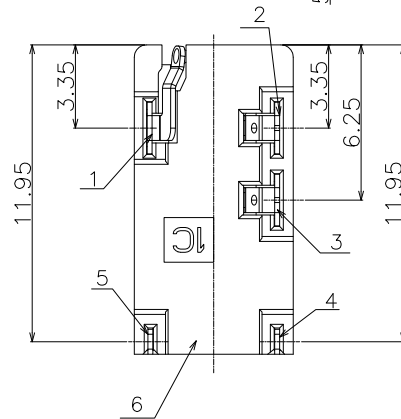


PLUG MATE DRAWING

- CONTACT CURRENT RATING: 1A.
- CONTACT RESISTANCE: 50 mΩ MAX.;
- INSULATION RESISTANCE: 100MΩ MIN.;
- DIELECTRIC WITHSTANDING: 500V AC MIN.;
- DURABILITY: 5,000 CYCLES MIN.;
- CONNECTOR MATING FORCES: 30N MAX.;
- CONNECTOR UNMATING FORCES: 3N MIN.;



P.C.B LAYOUT  
TOP VIEW



( $\phi 3.50\text{mm}$  4 POLE PLUG DETAIL DRAWING)

UNLESS OTHERWISE SPECIFIED TOLERANCES

**GDEL** 深圳市亿利百斯特电子有限公司

6	HOUSING	1	HIGHT TEMPERATURE PLASTIC; COLOR BLACK
5	TERMINAL 5#	1	STAINLESS STEEL; NICKEL UNDER PLATING OVERALL, GOLD PLATING ON SOLDER AREA; GOLD PLATING ON CONTACT AREA
4	TERMINAL 4#	1	STAINLESS STEEL; NICKEL UNDER PLATING OVERALL, GOLD PLATING ON SOLDER AREA; GOLD PLATING ON CONTACT AREA
3	TERMINAL 3#	1	COPPER ALLOY; NICKEL UNDER PLATING OVERALL, GOLD PLATING ON SOLDER AREA; GOLD PLATING ON CONTACT AREA
2	TERMINAL 2#	1	COPPER ALLOY; NICKEL UNDER PLATING OVERALL, GOLD PLATING ON SOLDER AREA; GOLD PLATING ON CONTACT AREA
1	TERMINAL 1#	1	COPPER ALLOY; NICKEL UNDER PLATING OVERALL, GOLD PLATING ON SOLDER AREA; GOLD PLATING ON CONTACT AREA
ITEM	NAME	Q'TY	DESCRIPTION

DECIMALS:		ANGLES:	
DIM	TOL	DIM	TOL
X.	±0.50	X.	±2°
X.X	±0.30	X.X	±1°
X.XX	±0.20	X.XX	—
X.XXX	±0.10	X.XXX	—

DWG NO.	
DESIGN:	Lucky 2018.03.22
CHECK:	
APPROVED	Lucky 2018.03.22

PART NAME: PHONE JACK		
PART NO. PJ35A016-F05J1BR-A		
REV. A	UNIT: mm	SHEET: 1/1