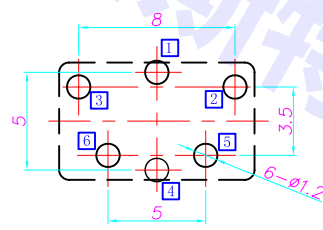
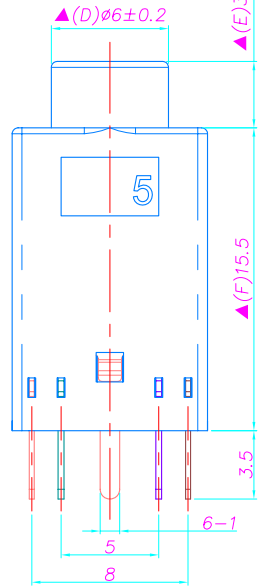
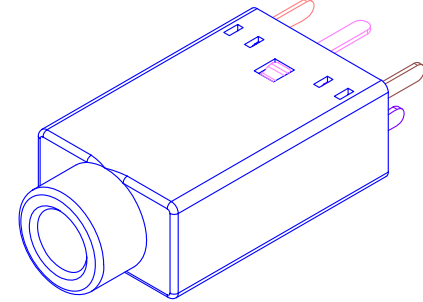
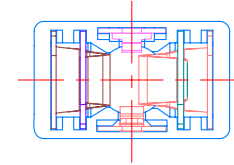
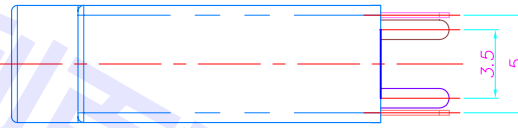
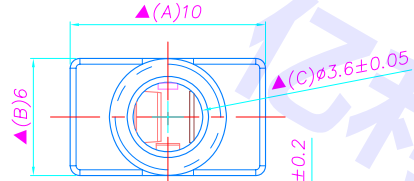
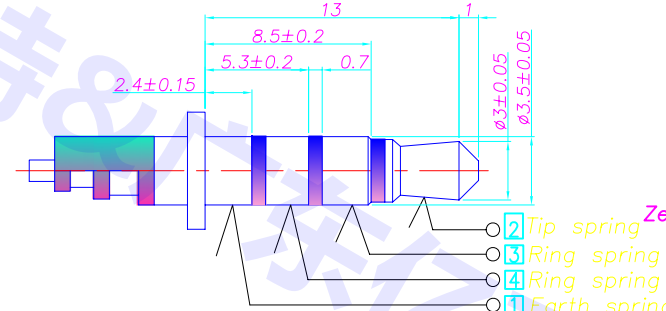


Model No.	PJ31590-I	PJ31590-J	PJ31590-M	PJ31590-A	PJ31590-B	PJ31590-D
Schematic						

□: TERMINAL NO.



RECOMMENDED P. C. B. LAYOUT
UNSPECIFIED TOLERANCE: ±0.05
(Copper-sided view)



Matching Plug

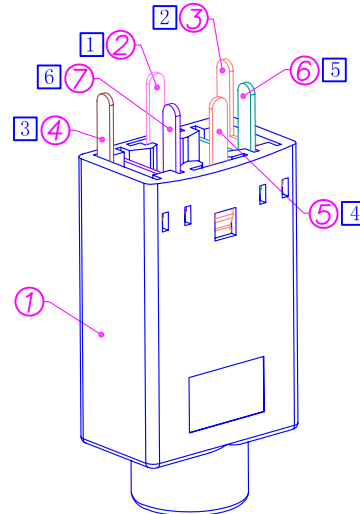
Ordering information:
PJ31590 - □ PB □ □ S 00 3

(1) (2) (3) (4) (5) (6) (7)

- (1): Series No.
- (2): Schematic option: I J M A B D
- (3): Material of housing:
PB=PBT(default)
- (4): Housing color:
0A=Black 2L=Red(701C)
Zero5G=Green(577C) 6A=Blue(284C)
- (5): Terminal plating
S=Silver(Ag)(default)
A=Gold(AU)
- (6): Special option:
00=No special option
- (7): Packing mode:
3=Plastic box packing

Specification:

1. Rating : DC 30V 0.5A;
2. Contact resistance: ≤30mΩ;
After life test: ≤50mΩ
3. Insulation resistance: ≥100MΩ (500VDC);
After life test: ≥50MΩ
4. Withstand voltage: 500VAC ;
5. Insertion and extraction force: 5N~35N;
6. life test: 5000cycles min;
7. Operation temperature range: -20℃~70℃
8. Preservative temperature range: -40℃~85℃
9. Sign"▲" is importance dimension



7	Shunt terminal	6	1	Brass 0.3t	PJ31590-06	Silver/Gold plating
6	Shunt terminal	5	1	Brass 0.3t	PJ31590-05	Silver/Gold plating
5	Ring spring	4	1	Phosphor bronze 0.25t	PJ31590-04	Silver/Gold plating
4	Ring spring	3	1	Phosphor bronze 0.25t	PJ31590-03	Silver/Gold plating
3	Tip spring	2	1	Phosphor bronze 0.25t	PJ31590-02	Silver/Gold plating
2	Earth spring	1	1	Phosphor bronze 0.25t	PJ31590-01	Silver/Gold plating
1	Housing		1	PBT,UL-94V-0	PJ31590-S1	

ITEM	DESCRIPTION	QTY	MATERIAL	PART NO.	REMARK
UNIT: MM		TYPE:		MODEL NO:	
		ø3.5 PHONE JACK (180° Dip type)		PJ31590-PB_S003	
DESIGNER BY:		K J P 2011.3.26		PAPER NO: A4	
CHECK BY:				PAGE 1 OF 1	
APPROVED BY:				TOLERANCE: ±0.25	
				ANGLES: ±2'	
				SCALE: FULL	
				VER: 03	

深圳市亿利百斯特电子有限公司
Shenzhen ElyBest Electronics Co., Ltd