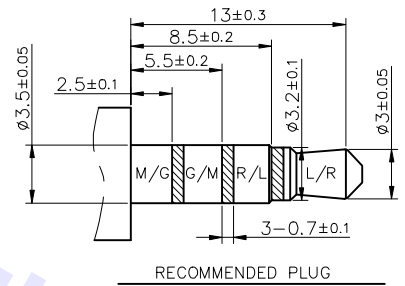
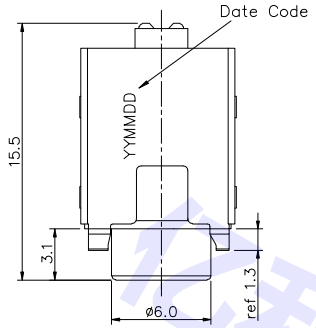
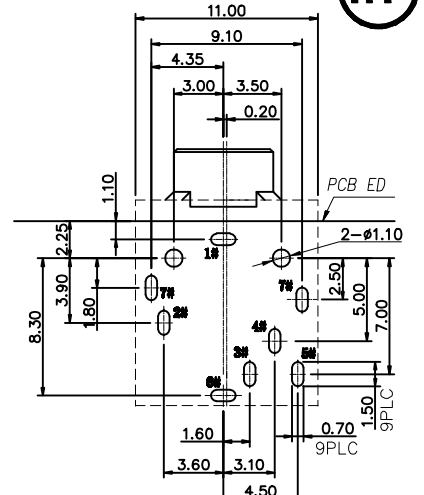
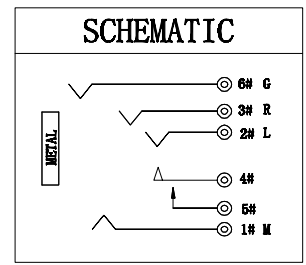


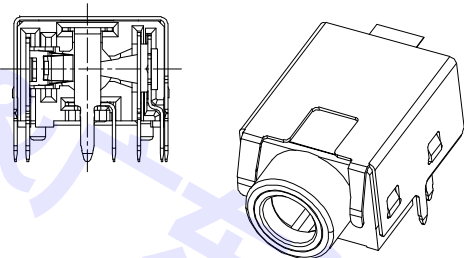
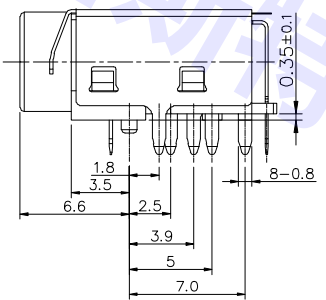
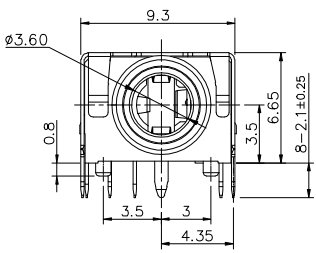
REV.	QTY	EXL. NO.	REASON/CONTENTS	SIGN	DATE
			Proposal drawing	Mett	2016.1.20
		▲	Updated drawing	Mett	2016.2.3
		▲	Updated drawing	Mett	2016.3.6
		▲	Customer require to add mylar	Mett	2016.3.9



ø3.5 4-POLE STANDARD PLUG

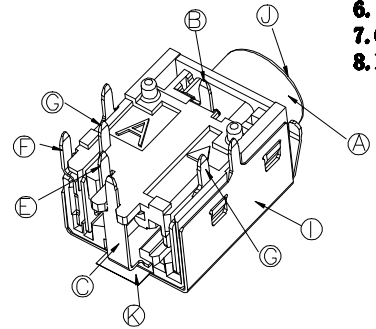
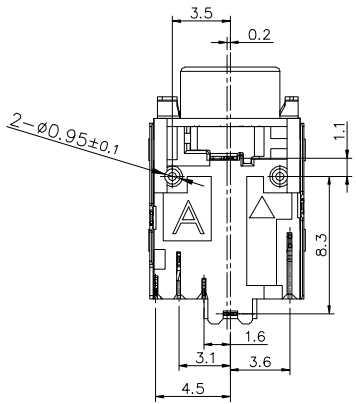


RECOMMENDED PCB LAYOUT (TOP VIEW)
TOLERANCE: ±0.05mm



- Specification:**
1. Rating : DC 12V 1A.
 2. Contact resistance: ≤50mΩ (INITIAL)
 3. Insulation resistance: ≥100MΩ (500VDC).
After life test: ≥50MΩ.
 4. Withstand voltage: 500VAC.
 5. Insertion and extraction force: 3N~30N.
 6. life test: 5000cycles min.
 7. Operation temperature range: -20℃~70℃.
 8. Preservative temperature range: -40℃~85℃.

NO.	DESCRIPTION	QTY	MATERIAL	REMARK
(K)	Mylar	1		
(J)	Metal	1	BRASS	Ni 60u"
(I)	Shielding	1	SUS301 0.2T	Ni 60u"
(H)	Separator	1	HIGH TEMP. THERMOPLASTIC	BLACK
(G)	Transfer	1	Phosphor bronze t=0.20	GOLD FLASH ON CONTACT AREA AND SOLD TAIL
(F)	Make terminal	1	Phosphor bronze t=0.20	NI 50U" MIN OVER ALL
(E)	Ring B	1	Phosphor bronze t=0.20	GOLD FLASH ON CONTACT AREA, BOLU MATTE TIN ON SOLD TAIL.
(D)	Tip spring	1	Phosphor bronze t=0.25	NI 50U" MIN OVER ALL
(C)	Earth-A	1	Phosphor bronze t=0.20	
(B)	Ring A	1	Phosphor bronze t=0.20	
(A)	Housing	1	PPA 30% GF, UL94V-0	BLACK; HF



THIS DOCUMENT IS THE SOLE PROPERTY OF DEUN ELECTRONICS CO., LTD. AND SHOULD NOT BE USED IN WHOLE OR IN PART WITHOUT PRIOR WRITTEN PERMISSION.	UNIT:MM	TOLERANCE		TYPE:	MODEL NO:	DRAWING TYPE:	
		DIMENSIONS	ANGLES	ø3.5 PHONE JACK	PJ32690-YPP0AG0H1	CUSTOMER DRAWING	
		I ±0.30 K ±0.30 XX ±0.10 XXX ±0.06	I ±5° .X ±3° .XX ±3°			DRAWING No: BSCR-0000-****	SCALE: N/A
DESIGNER BY:	CHECK BY:	APPROVED BY:	GDEL 广东亿利精密电子有限公司				