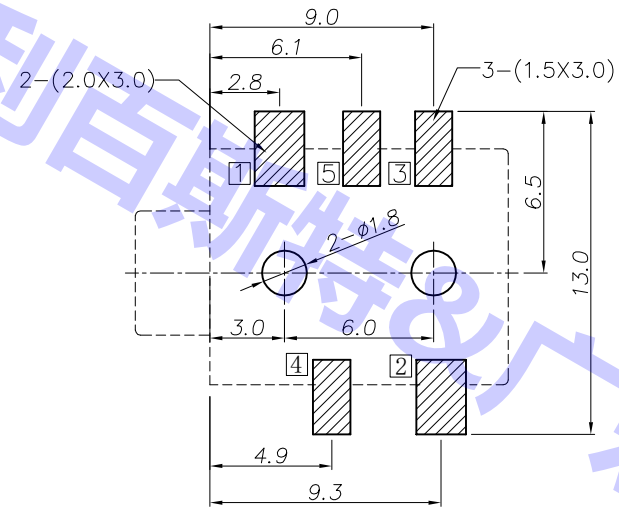
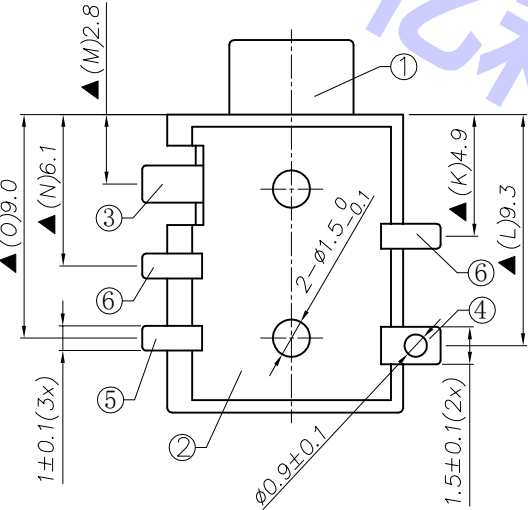
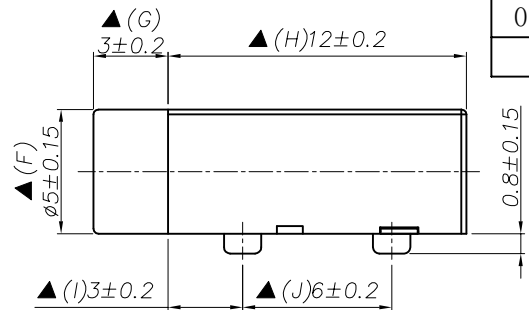
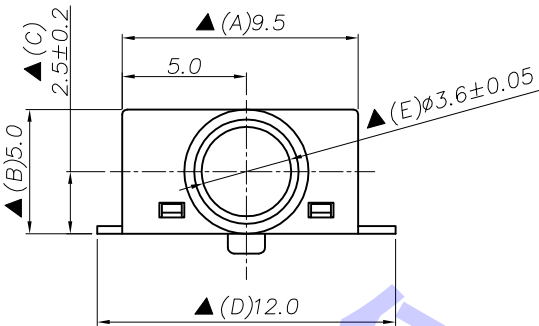


REV. LTR.	DESCRIPTION	SIGN	DATE
01	New release	bull.pan	2011.08.31.



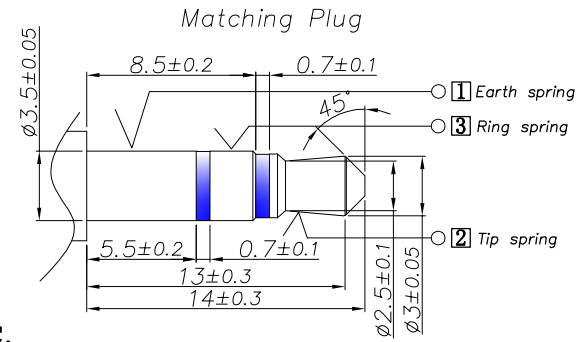
RECOMMENDED P. C. B. LAYOUT
UNSPECIFIED TOLERANCE: ±0.05
(TOP VIEW)

Ordering information:
PJ30650 - □ 9T 0A G 00 1
 (1) (2) (3) (4) (5) (6) (7)
 (1): Series No.
 (2): Schematic option:
 A, B, C, D, F
 (3): Material of housing:
 9T=PA9T
 (4): Housing color:
 Zero 0A=Black
 (5): Terminal plating:
 G=Gold (Au)
 (6): Special option:
 00=No special option
 (7): Packing mode:
 1=Tap reel packing

Model No.	PJ30650-A (PJ30650)	PJ30650-B	PJ30650-C	PJ30650-D (PJ30650-2)	PJ30650-F (PJ30650-1)
Schematic code					

Circuit Diagram □: Terminal No.

Specification:
 1. Rating : DC 30V 0.5A.
 2. Contact resistance: ≤30mΩ.
 After test: ≤50mΩ.
 3. Insulation resistance: ≥100MΩ (500VDC).
 After test: ≥50MΩ.
 4. Withstanding voltage: 500VAC.
 5. Insertion and extraction force: 3N~30N.
 6. life test: 5000cycles min.
 7. Operation temperature range: -20℃~70℃.
 8. Preservative temperature range: -40℃~85℃.
 9. Sign "▲" is importance dimension.



⑥	Shunt terminal	④⑤	2	Brass 0.3t	PJ30650-04	Gold(Au) plating
⑤	Ring spring	③	1	Phosphor bronze 0.2t	PJ30650-03	Gold(Au) plating
④	Tip spring	②	1	Phosphor bronze 0.2t	PJ30650-02	Gold(Au) plating
③	Earth spring	①	1	Phosphor bronze 0.3t	PJ30650-01	Gold(Au) plating
②	Cover		1	PA9T	PJ30650-S2	Black
①	Housing		1	PA9T	PJ30650-S1	Black

NO.	DESCRIPTION	QTY	MATERIAL	PART NO.	REMARK
UNIT: MM	TYPE:	MODEL NO:	PAPER NO: A4 PAGE 1 OF 1		
	ø3.5 PHONE JACK	PJ30650_9T0AG001	TOLERANCE	ANGLES	SCALE
			±0.3	±2'	N/A
				VER	01

DESIGNER BY: Bull.pan 2011.08.31
 CHECK BY: Matt 2011.08.31
 APPROVED BY: Ocean 2011.08.31

GDEL 深圳市亿利百斯特电子有限公司
 ShenZhen Electronics Co., Ltd

A
B
C
D
E