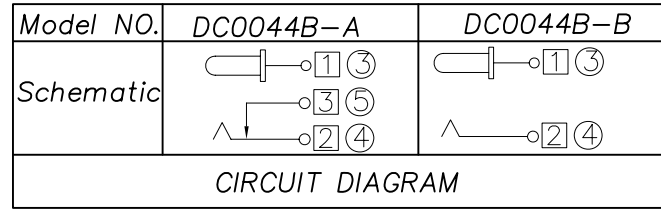
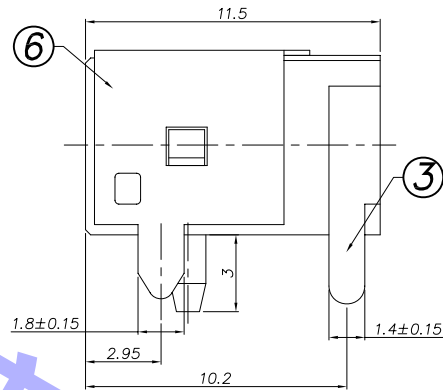
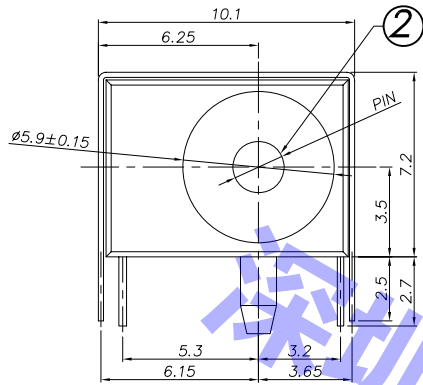


REV.	LTR.	DESCRIPTION	SIGN	DATE



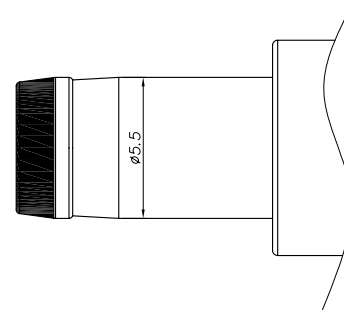
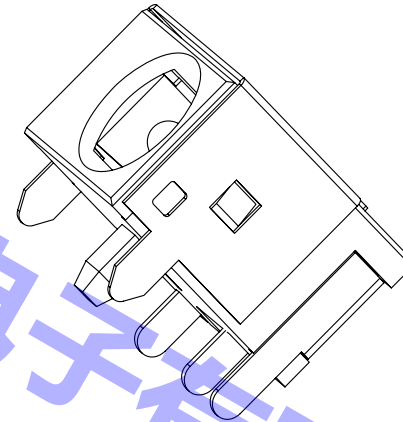
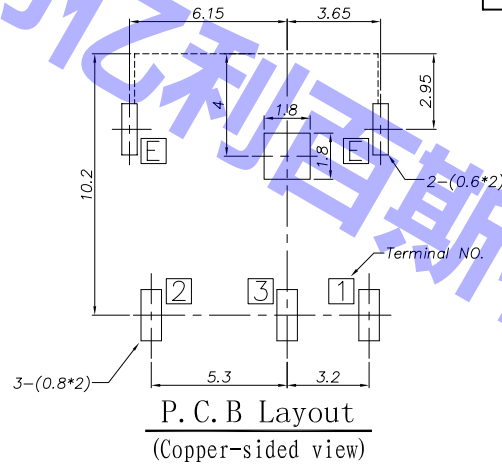
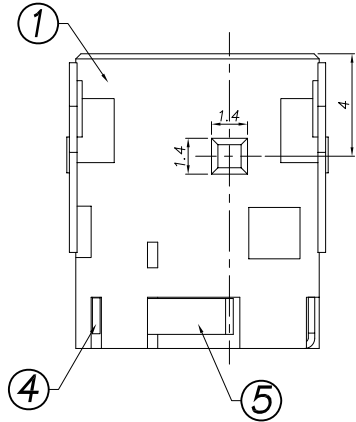
□ : TERMINAL NO. ○ : ITEM NO.

Model No.	DC0044B-G	DC0044B-H	DC0044B-I	DC0044B-J
PIN	φ1.65	φ2.0	φ2.35	φ2.5

Ordering information:

DC0044B-□ □ □ □ 0A S 0 □
 ① ② ③ ④ ⑤ ⑥ ⑦ ⑧

- ①: Series No
- ②: Schematic option: A B
- ③: Center pin diameter:
G=1.65 H=2.0 I=2.35 J=2.5
- ④: Material of housing:
PB=PBT (Standard)
9T=PA9T
- ⑤: Housing color:
0A=Black(Only)
- ⑥: Terminal plating
S=Silver(Ag) (Standard)
T=Tin(Sn)
G=Gold(Au)
- ⑦: Special option
0: No special option
- ⑧: Packing mode:
1: Reel packing
3: Plastic box packing
4: Bag packing



Specification:

1. Rating : DC 30V 0.5A;
2. Contact resistance: ≤30mΩ;
After test: ≤50mΩ
3. Insulation resistance: ≥100MΩ (500VDC);
After test: ≥50MΩ
4. Withstand voltage: 500VAC ;
5. Insertion and extraction force: 3N~30N;
6. life test: 5000cycles min;
7. Operation temperature range: -20℃~70℃
8. Preservative temperature range: -40℃~85℃
9. Sign "▲" is importance dimension

⑥	Earth terminal	1	Brass	DC0044A-E1 (JA-974)	Cu-Ni-Plating
⑤	Shunt terminal	1	Brass	DC00440-03 (JA-627)	Ni-Ag-Plating
④	Tip spring	1	Phosphor bronze	DC00440-02 (JA-628)	Ni-Ag-Plating
③	Center pin terminal	1	Brass	DC00440-01 (JA-629)	Ni-Ag-Plating
②	Center pin	1	Brass	DC00440-99G (YZ-631) DC00440-99H (YZ-630) DC00440-99J (YZ-632)	Cu-Sn-Plating
①	Housing	1	PBT/PA9T	DC0044A-S1 (ST-973)	
NO.	DESCRIPTION	QTY	MATERIAL	PART NO.	PLATING

UNIT: MM	TYPE:	MODEL NO:	PAPER NO: A4	PAGE 1 OF 1	
	DC POWER JACK	DC0044B-__ __ 0AS0	TOLERANCE	ANGLES	SCALE
DESIGNER BY:	Pingdong Xiao 2011.02.24		±0.3	±2°	FULL
CHECK BY:					3
APPROVED BY:					

深圳市亿利百斯特电子有限公司
 亿利百斯特 Shenzhen ElyBest Electronics Co., Ltd