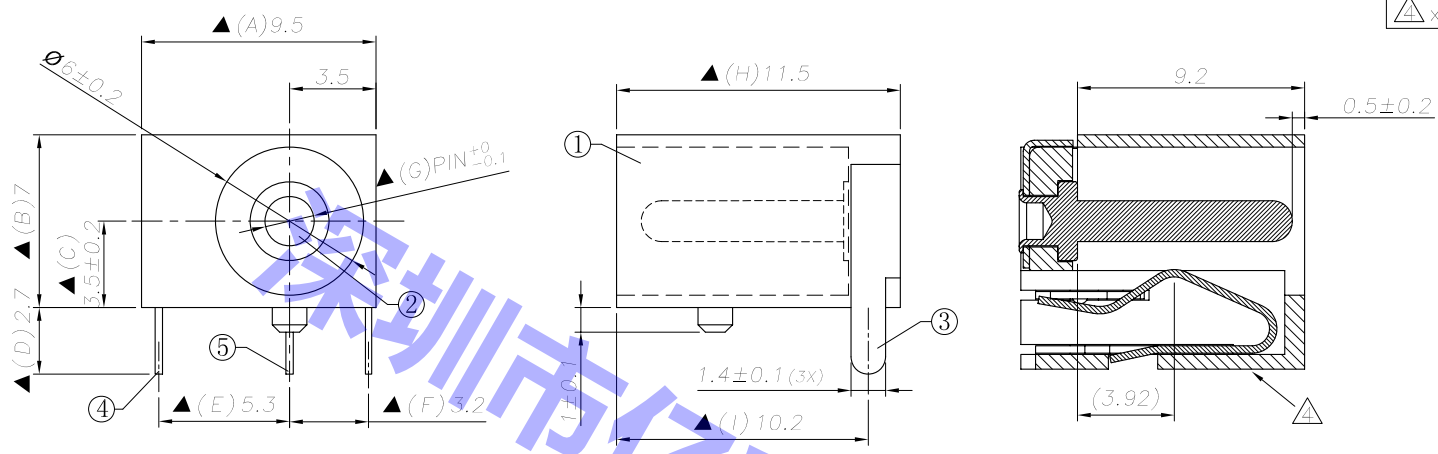
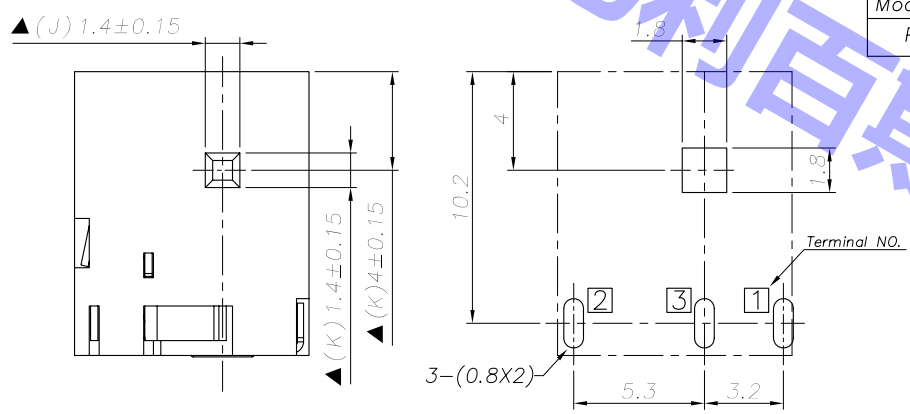
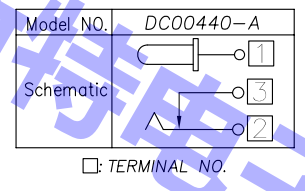


REV.	LTR.	DESCRIPTION	SIGN	DATE
△	x3	1.Add deminsion; 2.Change tolerance	YUFUN	2010.12.28
△	x1	1.Add view and dimension	PD X	2011.02.24

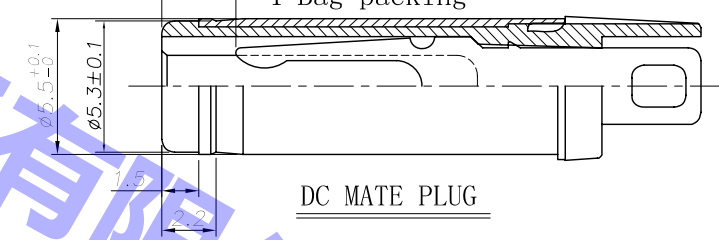


Ordering information:  
 DC00440 -A □ □ □ □ S 0 □  
 (1) (2) (3) (4) (5) (6) (7) (8)  
 (1):Series No.  
 (2):Schematic option:A  
 (3):Center pin diameter:  
 G=1.65 H=2.0 J=2.5  
 (4):Material of housing:  
 PB=PBT 9T=PA9T  
 (5):Housing color:  
 Zero 0A=Black 9A=White(0010=PBT)  
 (6):Terminal plating:  
 S=Silver (Ag)  
 (7):Special option:  
 Zero 0=No special option  
 B:Stainless steel for 2# CONTACT  
 (8):Packing mode:  
 1=Reel packing  
 4=Bag packing

Model No.	DC00440- _G	DC00440- _H	DC00440- _J
PIN	φ1.65	φ2.0	φ2.5

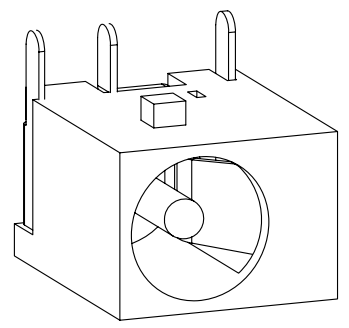


RECOMMENDED P. C. B. LAYOUT  
 UNSPECIFIED TOLERANCE: ±0.05  
 (BOTTOM VIEW)



DC MATE PLUG

- Specification:
- Rating : DC 25V 3A;
  - Contact resistance: ≤30mΩ;  
After test: ≤50mΩ
  - Insulation resistance: ≥100MΩ (500VDC);  
After test: ≥50MΩ
  - Withstanding voltage: 500VAC ;
  - Insertion and extraction force: 3N~30N;
  - life test: 5000cycles min;
  - Operation temperature range:-20°C~70°C
  - Preservative temperature range:-40°C~85°C
  - Sign"▲" is importance dimension



⑤	Shunt terminal	③	1	Brass t0.3	DC00440-03(WP-627)	Silver plating
④	Tip spring	②	1	Phosphor bronze t0.3	DC00440-02(TP-628)	Silver plating
③	Center pin contact	①	1	Brass t0.25	DC00440-01(JA-629)	Silver plating
②	Center pin		1	Brass	DC00440-99G(YZ-631) DC00440-99H(YZ-630) DC00440-99J(YZ-632)	Copper&tin plating
①	Housing		1	PBT/PA9T	DC00440-S1(ST-626)	
NO.	DESCRIPTION	QTY	MATERIAL	PART NO.	REMARK	
UNIT: MM		TYPE:		MODEL NO:	PAPER NO: A4	PAGE 1 OF 1
DC POWER JACK		DC00440-A _ _ _ _ S0 _		TOLERANCE	ANGLES	SCALE
DESIGNER BY: Allen Xiao 2011.08.05		CHECK BY:		±0.3 △		±2'
APPROVED BY:				N/A		4