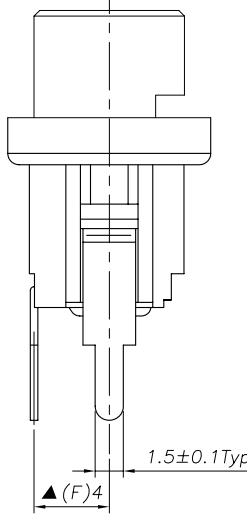
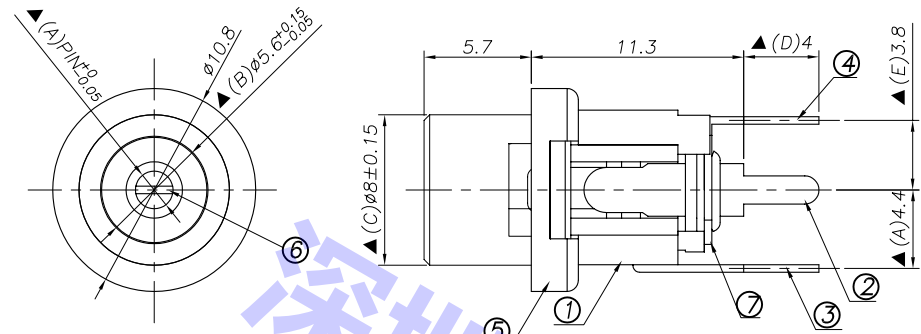


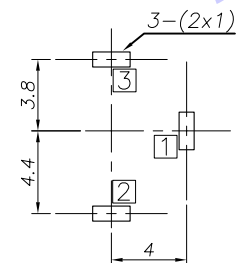
REV. LTR.	DESCRIPTION	SIGN	DATE
	Update drawing	PD X	2011.07.12



Model NO.	DC00260-A	DC00260-B
Schematic		

□: TERMINAL NO.

Model No.	DC00260-__H	DC00260-__I	DC00260-__J
PIN	ø2.0	ø2.35	ø2.5

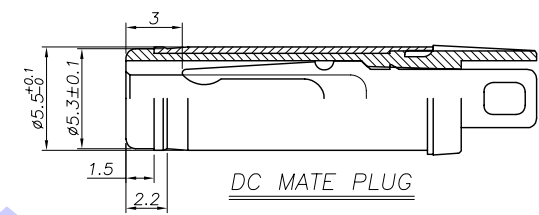


RECOMMENDED P. C. B. LAYOUT
UNSPECIFIED TOLERANCE: ±0.05
(BOTTOM VIEW)

Ordering information:

DC00260-□ □ 66 0A C 0 4
(1) (2) (3) (4) (5) (6) (7) (8)

- (1): Series No
- (2): Schematic option: A B
- (3): Center pin diameter: H=2.0 I=2.35 J=2.5
- (4): Material of housing: 66=PA66
- (5): Housing color: 0A=Black
- (6): Terminal plating:
C=Copper&tin alloy plating
- (7): Special option: 0=No special option
- (8): Packing mode: 4=Bag packing



Specification:

1. Rating : DC 30V 3A.
2. Contact resistance: ≤30mΩ.
After test: ≤50mΩ
3. Insulation resistance: ≥100MΩ (500VDC).
After test: ≥50MΩ
4. Withstanding voltage: 500VAC.
5. Insertion and extraction force: 3N~30N.
6. life test: 5000cycles min.
7. Operation temperature range: -20℃~70℃.
8. Preservative temperature range: -40℃~85℃.
9. Sign "▲" is importance dimension.

⑦	Washer	2	Bakelite	
⑥	Pin	1	Copper alloy	Nickel plating
⑤	Bushing	1	Copper alloy	Nickel plating
④	Shunt Terminal	③ 1	Brass	Copper&tin plating
③	Tip Spring	② 1	Phosphor bronze	Copper&tin plating
②	Center pin terminal	① 1	Brass	Copper&tin plating
①	Housing	1	PA66	Black
NO.	DESCRIPTION	QTY	MATERIAL	REMARK

UNIT: MM	TYPE:	MODEL NO:	PAPER NO: A4	PAGE 1 OF 1
◎ ◁	DC POWER JACK	DC00260-__ _660AC04	TOLERANCE	ANGLES
			±0.3	±2'
			SCALE	VER
			N/A	2

DESIGNER BY: PD X 2011.07.12
CHECK BY:
APPROVED BY:

