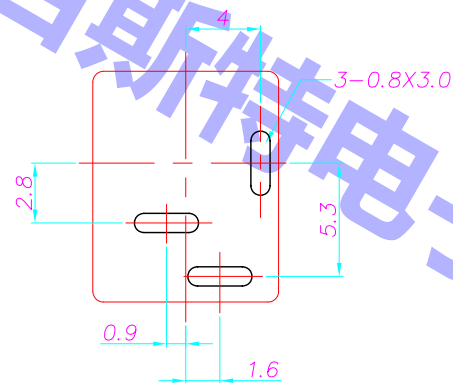
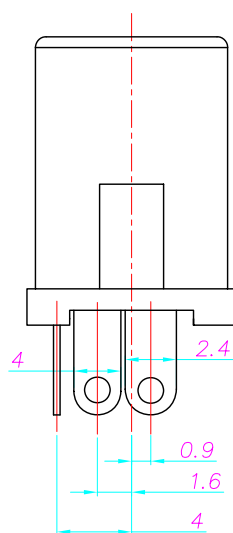
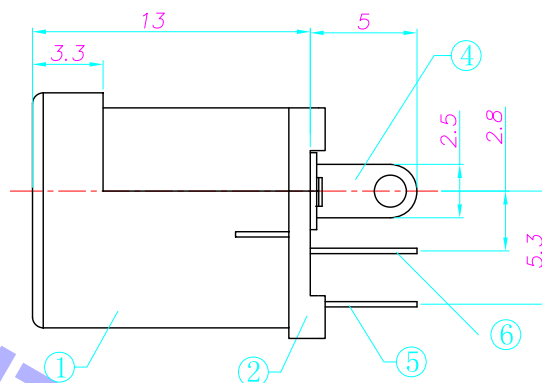
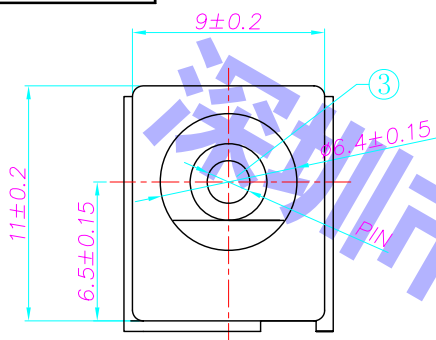




RoHS
Compliant

REV.		



P. C. B Layout
(Copper-sided view)

SPECIFICATION

1. Rating : DC 20V 2A;
2. Contact resistance: $\leq 50m\Omega$;
3. Insulation resistance: $\geq 100M\Omega$ (DC500V);
4. Withstand voltage: 500VAC ;
5. Insertion and extraction force: 3-30N;
6. life test: 5,000 cycles;
7. Operation temperature range: $-20^{\circ}C \sim 70^{\circ}C$;
8. Preservative temperature range: $-40^{\circ}C \sim 85^{\circ}C$;
9. Sign"▲" is importance dimension.

⑥	Shunt terminal	3	1	Brass t=0.3	Silver plating	X. ±0.3	X.* ±2'	UNITS	mm	<p>深圳市亿利百斯特电子有限公司 ShenZhen ElyBest Electronics Co., Ltd</p>	<p>TITLE: DC POWER JACK</p> <p>DR:</p> <p>CHKD:</p> <p>APPD:</p>	<p>PART NO.: DC-012A-&2.0</p> <p>DWG NO.: AII-S60</p>	<p>SCALE 1:1</p> <p>SHEET 1/1</p> <p>REV. A</p> <p>ENGINEERING DRAWING</p>
⑤	Tip spring	2	1	Mn steel t=0.2	Silver plating	.X ±0.2	.X* ±1'	MAT'L	SEE NOTE				
④	Center pin terminal	1	1	Brass t=0.3	Silver plating	.XX±0.15	.XX*	SEE NOTE					
③	Center pin	1	1	Brass	CuSn/Nickel plating	.XXX ±0.10	.XXX*	FINISH					
②	Cover		1	PBT				SEE NOTE					
①	Housing		1	PPA				Q'TY					
NO.	DESCRIPTION	QTY		MATERIAL	REMARK	<p>THESE DRAWINGS AND SPECIFICATIONS ARE THE PROPERTY OF ACCURATE INNOTECH INC. AND SHALL NOT BE REPRODUCED, COPIED OR USED IN ANY MANNER WITHOUT THE PRIOR WRITTEN CONSENT OF ACCURATE INNOTECH INC.</p>							