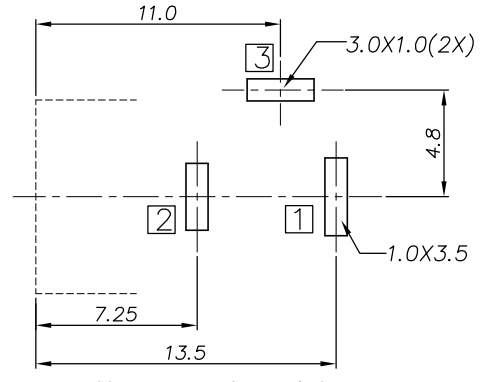
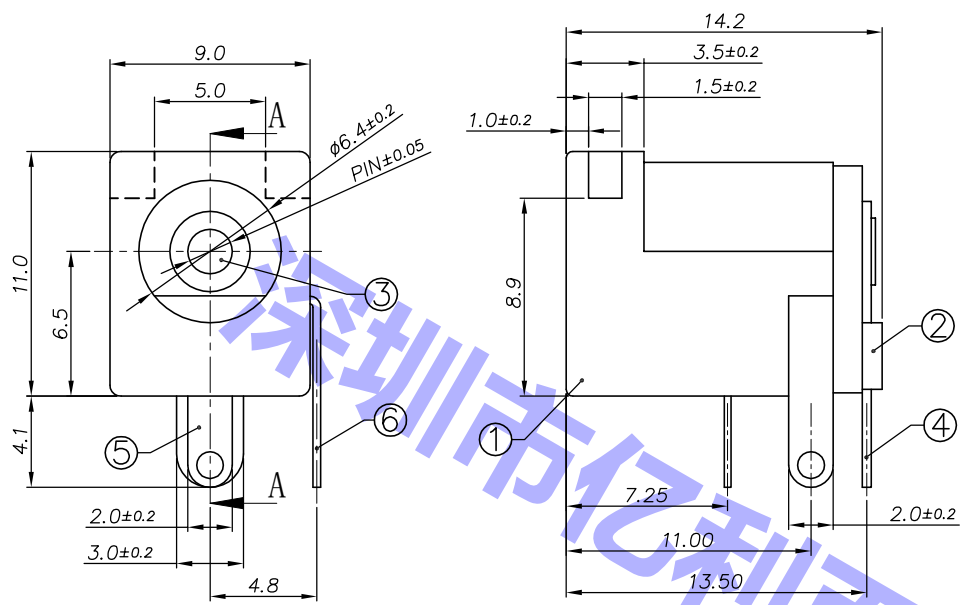
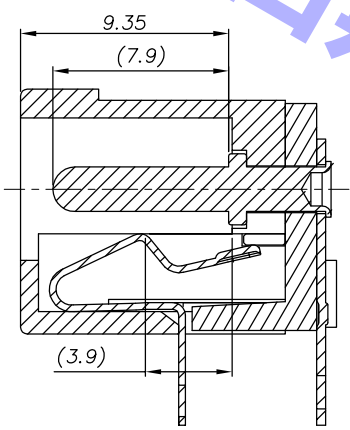


REV.	Q' TY	ECN. NO.	REASON&CONTENTS	SIGN	DATE
01			New release	PJ	2017. 12. 04

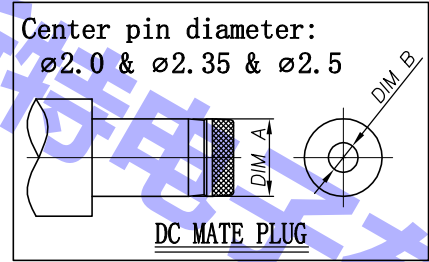


RECOMMENDED P. C. B. LAYOUT
UNSPECIFIED TOLERANCE: ±0.05
(BOTTOM VIEW)

- Ordering information:
DC005BY-□ □ PB □ □ T 0 4
(1) (2) (3) (4) (5) (6) (7) (8)
- (1): Series No.
 - (2): Schematic option: A, B
 - (3): Center pin diameter:
H=∅2.0, I=∅2.35, J=∅2.5
 - (4): Material of housing:
PB=PBT
 - (5): Housing color:
Zero—0A=Black
2A=Red (0350)=PBT4815
2R=Red (0046=XH1033)=PBT4815
4H=Yellow (0039=XH1029)=PBT4815
4N=Yellow (0080)=PBT4815
9A=White (0100=XH1013)=PBT4815
 - (6): Terminal plating:
T=Tin (Sn)
 - (7): Special option:
0=Cover is black
 - (8): Packing mode:
4=Bag packing



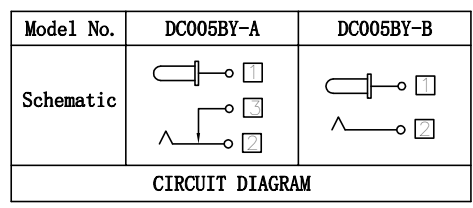
SECTION A-A



Model No.	DC005BY- <u>H</u>	DC005BY- <u>J</u>
PIN	∅2.0	∅2.5
DIM A	∅5.5±0.05	∅5.5±0.05
DIM B	∅2.05 ^{+0.10} _{-0.00}	∅2.55 ^{+0.10} _{-0.00}

PROPOSAL ONLY

- Specification:
- Rating : DC 20V 4A;
 - Contact resistance: ≤30mΩ;
After test: ≤50mΩ
 - Insulation resistance: ≥100MΩ (500VDC);
After test: ≥50MΩ
 - Withstand voltage: 500VAC ;
 - Insertion and extraction force: 3N~30N;
 - life test: 5000cycles MIN.;
 - Operation temperature range: -20℃~70℃
 - Preservative temperature range: -40℃~85℃



□ : TERMINAL NO.

NO.	DESCRIPTION	Q' TY	MATERIAL	REMARK
⑥	Shunt Terminal	3	1 Brass t=0.35	Tin plating
⑤	Tip spring	2	1 Phosphor bronze t=0.30	Tin plating
④	Center pin terminal	1	1 Brass t=0.40	Tin plating
③	Center pin	1	1 Brass	CuSn plating
②	Cover	1	1 Thermoplastic	See P/N ordering info
①	Housing	1	1 Thermoplastic	See P/N ordering info

THIS DOCUMENT IS THE SOLE PROPERTY OF Bsun ELECTRONICS CO., LTD. AND SHOULD NOT BE USED IN WHOLE OR IN PART WITHOUT PRIOR WRITTEN PERMISSION.

UNIT:MM 	TOLERANCE		TYPE: DC POWER JACK	MODEL NO: DC005BY-__ PB __ T04	DRAWING TYPE: CUSTOMER DRAWING
	DIMENSIONS	ANGLES		DRAWING No: BSCR-0000-0***	SCALE: VER. : PAGE: N/A 01 1/1
	.X ±0.38	X ±5°			
.XX ±0.30	.X ±3°				
.XXX ±0.15	.XX ±2°				
DESIGNER BY:	CHECK BY:	APPROVED BY:	 深圳市亿利百斯特电子有限公司 ShenZhen ElyBest Electronics Co., Ltd 亿利百斯特 TEL: 0755-28213003		