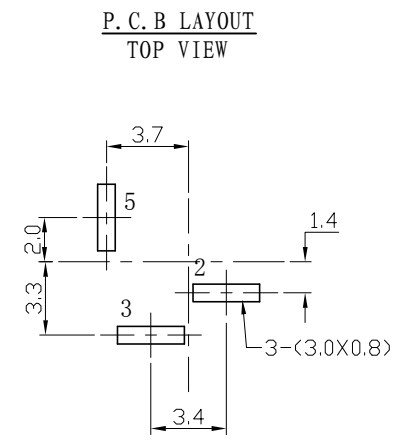
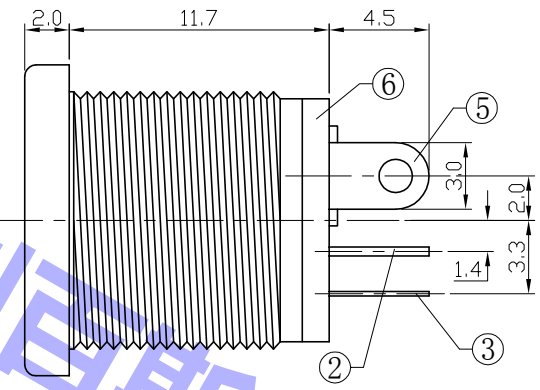
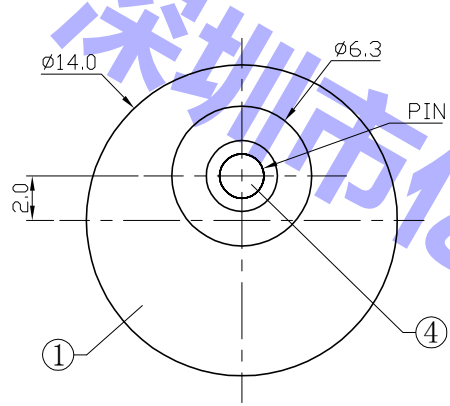
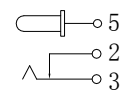


ÓÉ Foxit PDF Editor ±¼-
 °æË"ËüÖÐ (c) by Foxit Software Company, 2004
 ½00Á0U/EA'À½



SCHMATIC



SPECIFICATION

1. Rating : DC 30V 0.5A;
2. Contact resistance: $\leq 0.03\Omega$;
3. Insulation resistance: $\geq 100M\Omega$ (DC250V);
4. Withstand voltage: 500VAC ;
5. Insertion and extraction force: 3-20N;
6. life test: 5,000 cycles.

PIN	ø2.0	ø2.5	
APPD.			

6	COVER	1	PF	
5	CONTACT FOOT	1	BRASS	Cu-Sn-Plating
4	PIN	1	H59 BRASS	Ni-Plating
3	SPRING	1	65Mn STEEL	Cu-Sn-Plating
2	FLAT PIECE	1	H62 BRASS	Cu-Sn-Plating
1	HOUSING	1	PBT	
NO.	DESCRIPTION	QTY	MATERIAL	PLATING

UNIT: MM	TYPE:	MODEL NO:	PAPER NO: A4	PAGE 1 OF 1	
	DC JACK	DC-022	TOLERANCE	ANGLES	SCALE
			± 0.15	± 1.5°	3:1

DESIGNER BY: _____
 CHECK BY: _____
 APPROVED BY: _____

深圳市亿利百斯特电子有限公司
 ShenZhen ElyBest Electronics Co., Ltd