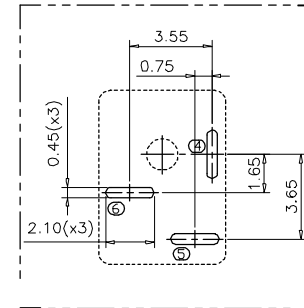
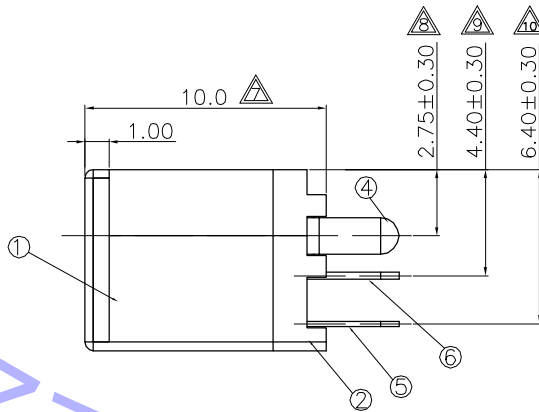
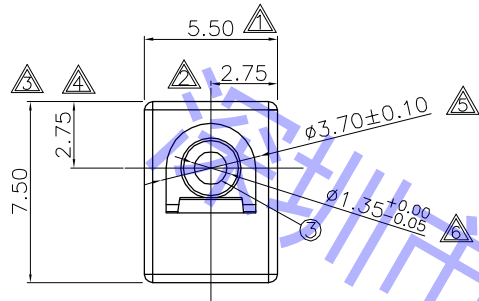


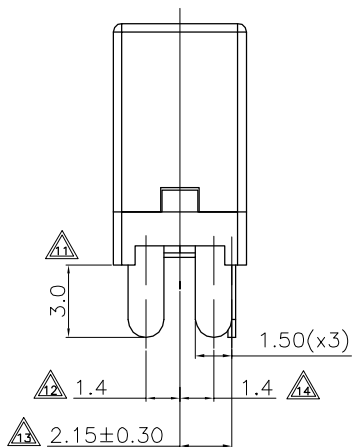


  
 RoHS Compliant HSF

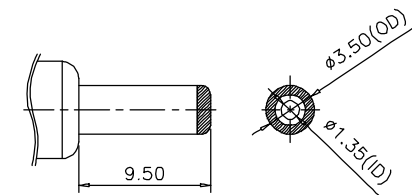
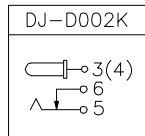
Level-1 Controlled Substances are banned



COMMENDED PCB LAYOUT(TOP VIEW)  
ALL TOLERANCE  $\pm 0.03$  mm



- SPECIFICATION
- RATING: 1A DC 30V ;
  - CONTACT RESISTANCE: Max 30m $\Omega$ ;
  - INSULATION RESISTANCE: Min 100M $\Omega$  DC 500V;
  - WITHSTANDING VOLTAGE: AC 500V (50Hz) AT 0.5A FOR 1 MINUTE;
  - LIFE TEST:  $\geq 5000$  CYCLES;
  - EXTRACTION FORCE: Min 0.3Kg;
  - INSERTION FORCE: Max 3Kg;
  - WORK TEMPERATURE: -30度~ 70度 ;
  - APPEARANCE IS GOOD FINISHED, NOT EXIST RUST, FLAW CRACK AND BAD PLATING;
  - SOLDERING CAN MEET 230度 $\phi 5$ 度, 3-5 SECOND.
  - Marked  $\triangle$  are important dimensions.



DC MATE PLUG

6	SHUNT TERMINAL	1	BRASS T=0.3	---	SILVER Plating
5	TIP SPRING	1	STAINLESS STEEL T=0.2	---	SILVER Plating
4	CENTER PIN TERMINAL	1	BRASS T=0.3	---	SILVER Plating
3	CENTER PIN	1	BRASS	---	CuSn/Nickel Plating
2	COVER	1	PA66	BLACK	---
1	HOUSING	1	PA66	BLACK	---
NO.	DESCRIPTION	QTY	MATERIAL	COLOR	REMARK

GENERAL TOLERANCE  
UNLESS OTHERWISE SPECIFIED


 深圳市亿利百斯特电子有限公司  
 亿利百斯特 Shenzhen ElyBest Electronics Co., Ltd

General	Angle	CUSTOMER COPY	TITLE: DC JACK
X $\pm 0.50$	X $\pm 3^\circ$		
XX $\pm 0.30$	XX $\pm 2^\circ$	PART NO.	DC-002F
XXX $\pm 0.20$	XXX $\pm 1^\circ$		
XXXX $\pm 0.10$			
PROJ: 	SCALE: 1:1	UNIT:mm	REV: A4 SHEET: 1 OF 1

						DESIGN	Jason	13'/07/17	
						CHECK	Jason	13'/07/17	
	0	13'/07/17	NEW	Jason	Max.hu	APPRO.	Max.hu	13'/07/17	
ECN(DCN) NO.	REV	DATE	DESCRIPTION	CHANGE	APPRO.	APPRO.			