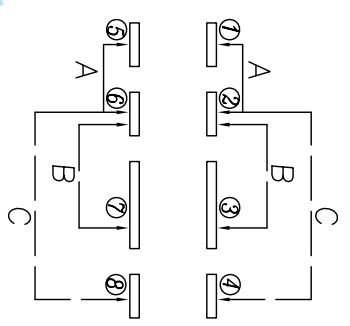


5	6	DATE	APV.D.
SYMB	REVISIONS		
△			
△			
△			

SPECIFICATION:
 1,CURRENT RATING:DC 30V 0.3A.
 2,DIELECTRIC WITHSTANDING VOLTAGE:
 500V AC R.M.S. FOR ONE MINUTE.
 3,INSULATION RESISTANCE:100M OHMS MIN.
 AT 500V DC
 4,CONTACT RESISTANCE:80m OHMS MAX.
 5,OPERATING TEMPERATURE:-20°C TO +80°C.
 6,OPERATING LIFE:10,000 CYCLES.



SCHEMATIC CIRCUIT

TOLERANCE				PROJECTION			
		UP TO	10	±0.2			
				±0.3			
				±0.5			
	4:1	VERSION	A	ABOVE 50~100	±0.5		
				ANGLE	±3°		
DRAWN	CHECKE			PROJECTION			
张恒立	张楠彪	廖明震					
NO.	NAME	MATERIAL	QTY:	FINISHING			
1	STEM	LCP	1	WHITE			
2	COVER	SUS	1	NATURAL			
3	BOTTOM	PA6T	1	BLACK			
4	CONTACT	C5210	2	Ag			
5	TERMINALS	C2680	8	Ag			

YIBEST 深圳市亿利百斯特电子有限公司
 Shenzhen Elybest Electronics Co., Ltd

