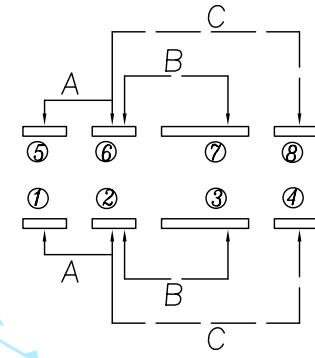
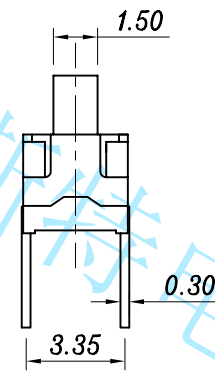
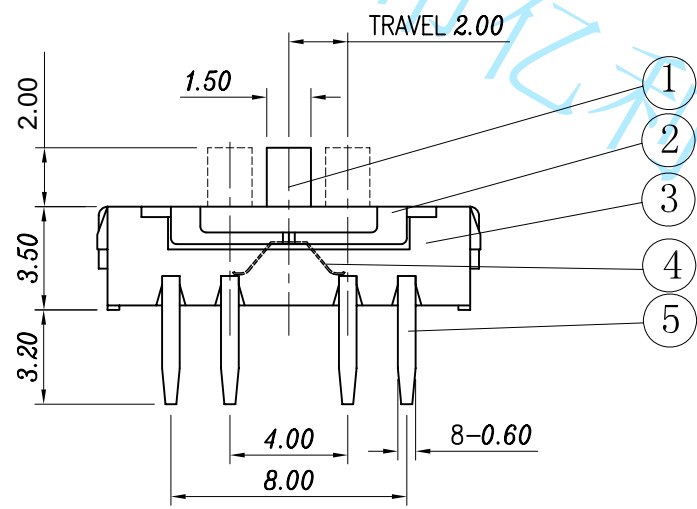
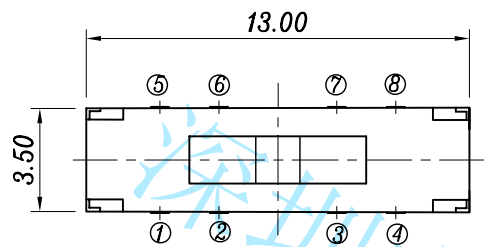


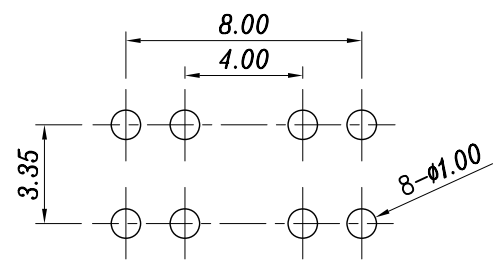
SYMB	REVISIONS	DATE	APVD.
1			
△			
△			

SPECIFICATION:

- 1,CURRENT RATING:DC 30V 0.3A.
- 2,DIELECTRIC WITHSTANDING VOLTAGE:  
500V AC R.M.S. FOR ONE MINUTE.
- 3,INSULATION RESISTANCE:100M OHMS MIN.  
AT 500V DC
- 4,CONTACT RESISTANCE:80m OHMS MAX.
- 5,OPERATING TEMPERATURE:-20°C TO +80°C.
- 6,OPERATING LIFE:5,000 CYCLES.



SCHEMATIC CIRCUIT



P.C.B LAYOUT  
TOP VIEW

PART NO	EL-MSK055 4H	TOLERANCE					
		UP TO 10	±0.2				
			±0.3	8			
		ABOVE 50~100	±0.5	7			
	4:1 VERSION A	ANGLE	±3'	6			
DRAWN	CHECKE	PROJECTION	5	TERMINALS	C2680	8	Ag
黄家庆	彭信存	繆明震	4	CONTACT	C5210	2	Ag
			3	BOTTOM	PA66	1	BLACK
			2	COVER	SUS	1	NATURAL
			1	STEM	PA66	1	BLACK
NO.	NAME	MATERIAL	QTY:	FINISHING			

**YIBST** 深圳市亿利百斯特电子有限公司  
亿利百斯特