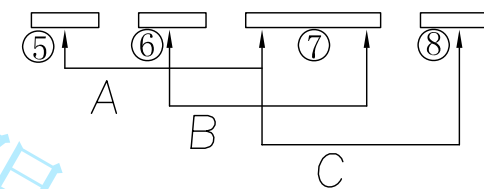
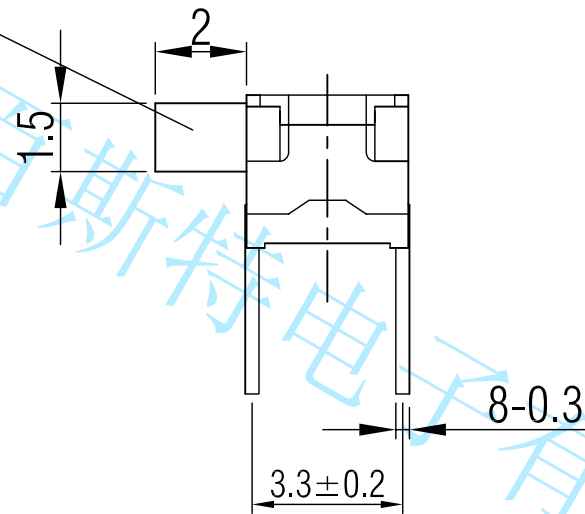
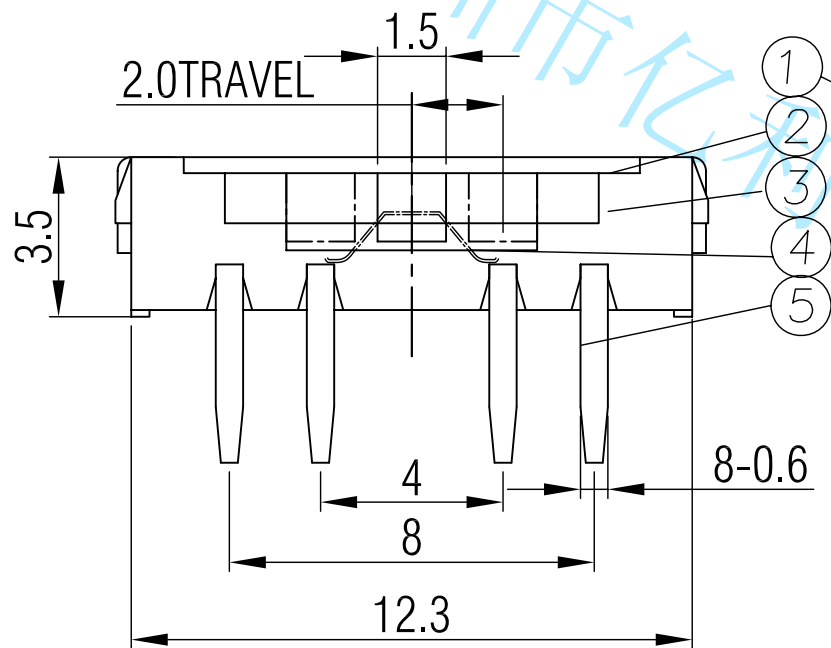


P.C.B LAYOUT DIMENSION
TOP VIEW



CIRCUIT

TITLE	TOGGLE SWITCH			DRAWN	李旺	TOLERANCE OTHERWISE UNLESS SPECIFIED		9				
PART NO.	MSK-23D19			CHECKED	戴胜春	UP TO 5	±0.05	8				
DRAW NO.	MSK-23D19			APPROVED	刘宜华	ABOVE 5 ~ 30	±0.1	7				
SCALE	4:1	UNIT	mm	DATE	20/11/2006	ABOVE 30 ~ 50	±0.15	6				
						ABOVE 50	±0.2	5	TERMINALS	C2680	8	Ag
						ANGLE	±3'	4	CONTACT	C5191	2	Ag
								3	BOTTOM	PA46	1	BLACK
								2	COVER	SUS	1	Ag
								1	STEM	PA66	1	BLACK/WHITE
								NO.	PARTS	MATERIAL	QTY.	FINISHING

