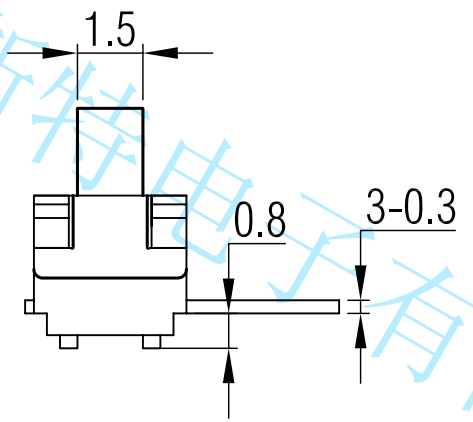
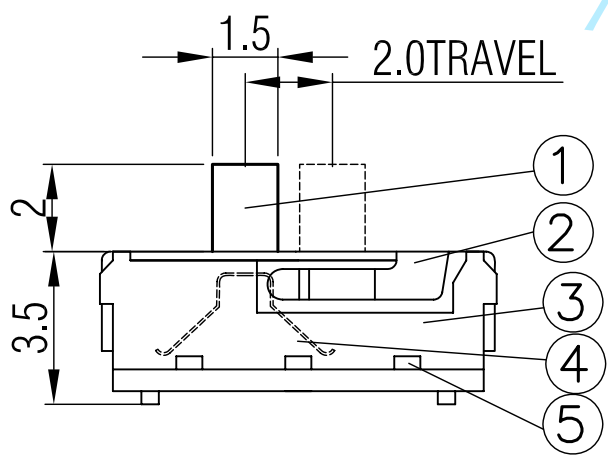


CIRCUIT



TITLE	TOGGLE SWITCH		DRAWN	李旺	TOLERANCE OTHERWISE UNLESS SPECIFIED		9					
PART NO.	MSS-22D19-2H		CHECKED	戴胜春	UP TO 5	±0.05	8					
DRAW NO.	MSS-22D19-2H		APPROVED	刘宜华	ABOVE 5 ~ 30	±0.1	7					
SCALE	4:1	UNIT	mm	DATE	18/11/2006	ABOVE 30 ~ 50	±0.15	6				
						ABOVE 50	±0.2	5	TERMINAL a,b&c	C2680	6	Ag
						ANGLE	±3'	4	CONTACT	C5210	2	Ag
								3	BOTTOM	PA46	1	BLACK
								2	COVER	SUS	1	NATURAL
								1	STEM	PA66	1	BLACK/WHITE
								NO.	PARTS	MATERIAL	QTY.	FINISHING


深圳市亿利百斯特电子有限公司
 ShenZhen ElyBest Electronics Co., Ltd

